

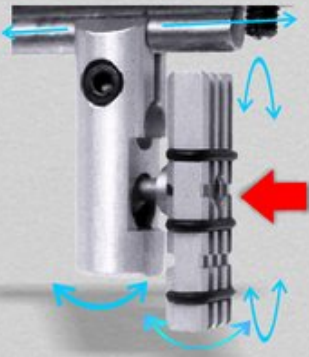
KAT 1/08

**TRIGGER**

**TRIGGER-LEVER** in aluminium

- Rotatable centre pin and contact surface with ball-joint.
- Horizontal grooves and variable rubber cross-rings.
- Permits fully free movement of the contact surface.
- Should be positioned vertically at the point of break.
- Second thread permits height adjustment.

*The first and still the best completely variable 3-D lever. For rifles (and pistols) with fixing rails.*



**MEC TRIGGER**

82,- €

Trigger-lever

FWB	220
Anschütz	221
Walther	222
Steyr	223
Hämmerli	224

The MEC-Trigger also fits many (air) pistols. The straight front is certainly unusual in these disciplines, but induces clean trigger-release and, through the three-dimensional adjustability of the lever, can be suited to practically all positions.

**TRIGGER startline**

**TRIGGER-LEVER** in aluminium and plastic

- Rotatable around the centre pin.
- Can be offset sideways (to the middle!).
- 3 height adjustments, slim design.
- Horizontal cut-out and grip grooves.
- The simplest and cheapest solution for definite contact and an exact positioning under the barrel.



**centra & MEC TRIGGER startline**

30,- €

Trigger-lever

FWB	225
Anschütz	226
Walther	227
Steyr	228
Hämmerli	229

**SLING**



Shooting sling, aluminium/webbing/leather. With justification, our customers have been awaiting a sling in MEC-centra quality which supports the newest concepts in prone and kneeling shooting. We are just about to complete our product, here are the first pictures. The following functions will be features of the SLING:

- Quality adjustment mechanism with buckles, fine tensioning, rotation and height regulation in one short component.
- Parallel upper arm loop for self-adjusting pull.
- Leather as the alternative material.

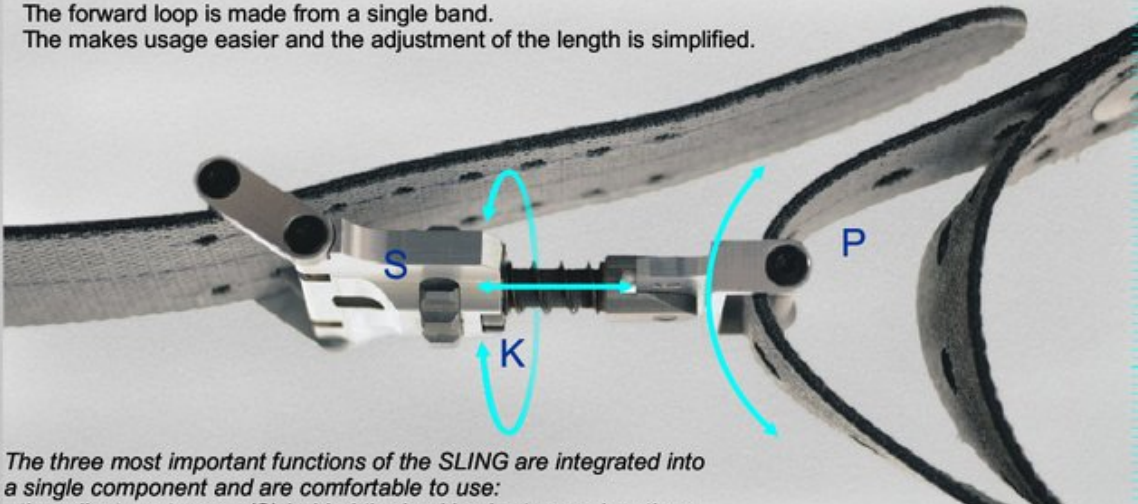
**centra & MEC SLING**

See internet...

Sling

Best. Nr.:	right	19960001
	left	19960002

The forward loop is made from a single band. The makes usage easier and the adjustment of the length is simplified.



The three most important functions of the SLING are integrated into a single component and are comfortable to use:

- the adjustment screw (S) behind the buckle shortens or lengthens the sling and is operated from within the position.
- the coupling (K) permits a fixed rotation of the sling and can be adjusted in 30° steps.
- The parallel loop (P) provides comparatively little, and equally distributed, pull on the upper arm.

Too much pressure, pulse in the upper arm, and slippage of the sling are the main problems with this tool. In these aspects, the SLING looks for fresh solutions...

